



SURFACE 360

Installation Guide



Raised Paving Installation Guidance 3

Setting out:..... 4

Pedestal and Tension spring installation: 5

Paver Support Pad installation..... 9

Cutting and shaping Porcelain Paving..... 10



Raised Paving Installation Guidance

The installation of Levato Mono Paving is a relatively simple process, however special attention should be paid to the setting out process, as it is important to ensure that correctly sized cut pavers (cuts) are specified at the perimeter edges. This is important as there are minimum workable cut sizes for pedestals and paver support pads –please contact our engineering department to discuss your particular project needs.

We offer a free design service for all orders, in fact we don't like to supply product without creating an installation drawing for the customer, as this ensures that the correct product arrives on site the first time and also limits the risk for installer error regarding the setting out.

Our technical/engineering department works with Architects, Designers and Contractors to ensure practical workable solutions to even the most complex installations.

*** Please note; we recommend that the Levato Mono paving is installed with a slight fall (1% (1:100) to 1.25% (1:80)) to ensure the paving slabs themselves drain. Porcelain is almost completely non-porous therefore if installed dead level, after rain there will remain a 2-3mm bubble of water on the paver surface – a slight fall will ensure the majority of this water runs off.**

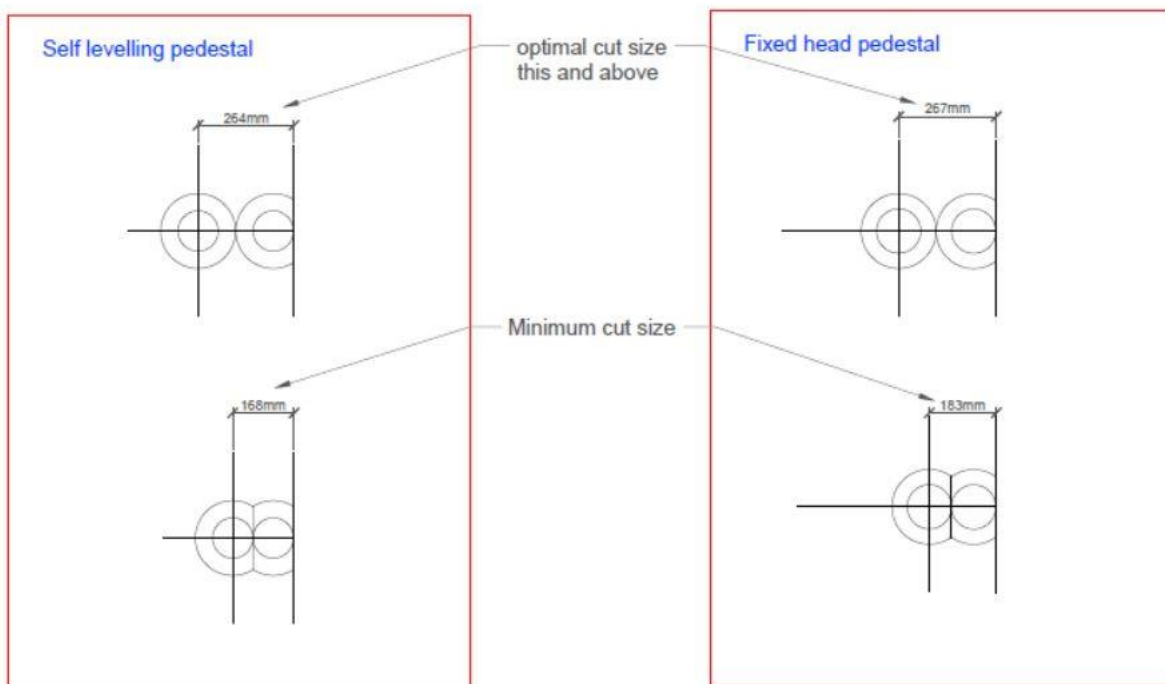
Setting out

Lay first paver as per setting out point on supplied drawings – if we have not supplied the paving and you do not have a setting out drawing, we would advise setting out the paving from a central point, cutting in at the perimeter edges (make sure that the cuts sizes are practicable for the support system); this ensures that even if walls run out or undulate, that the correct gap is maintained between the paving and perimeter walls – this gap is important to ensure that the tension springs will fit and work correctly.

Paving should never be installed so that it is directly in contact with the boundary/walls or upstand.

Minimum cut sizes:

Please be aware of the minimum cut sizes that apply when using height adjustable (both fixed head and self levelling) pedestals.



Pedestal and Tension spring installation

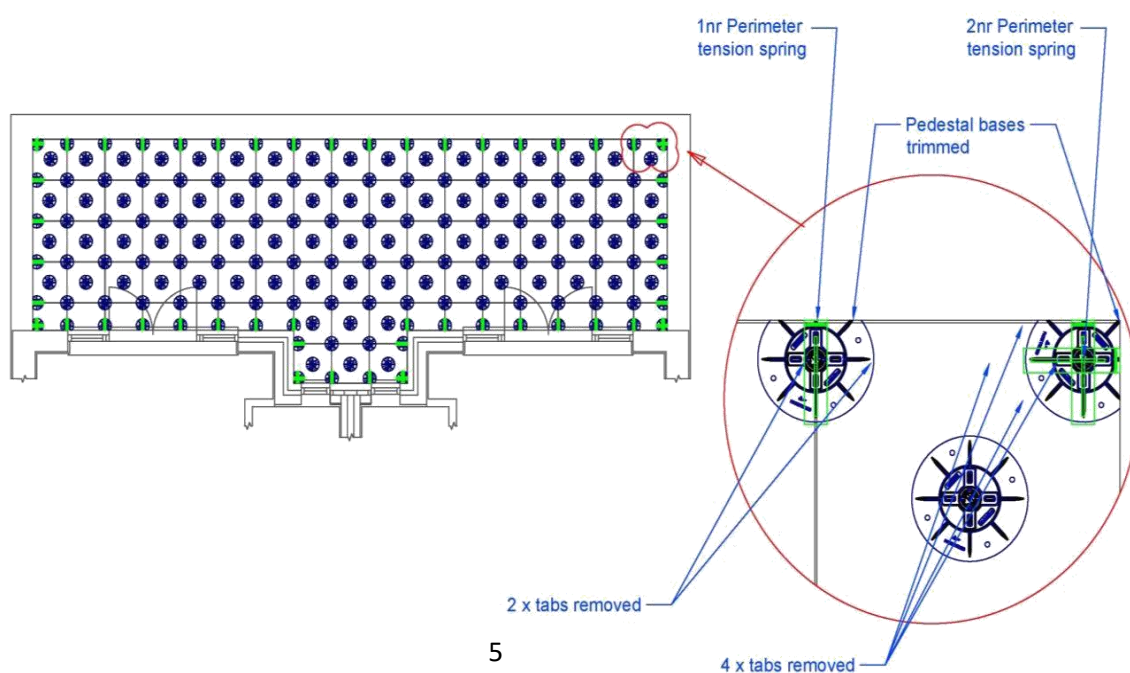


1) Pedestals being installed at the perimeter edges should have their tabs removed and bases trimmed with a handsaw as per diagram. If using Tension Springs, please see points 5&6.

Centre support pedestals

If using center supports, please follow the pedestal placement guide in image below, ensuring the tabs have been removed.

***It is the manufacturer's recommendation to use center supports when creating a void in excess of 50mm. However, we recommend always using center supports regardless of void height when using height adjustable pedestals for improved levelling performance and an even load distribution.**



Sound Suppressant Pads

If you are using our 210mm² 6mm thick Sound Suppressant Pads, they should be loose laid underneath each support pad or pedestal. These are designed to provide an extra layer of protection between the pedestal and the sub-floor and reduce both the gravel crunch (noise caused by grit catching under the pedestals) and the echo that can be present with raised systems.

*Please ensure that the waterproof membrane, if a single ply, will not be adversely affected by the direct application of rubber-crumb - if there is any doubt, a suitable medium should be placed between the Sound Suppressant/rubber-crumb pads and the membrane when installed.



2) Tabs are simply snapped off by hand as required.



3) Pedestal height is adjusted by way of a unique reinforced adjustment key...



4) ...enabling paving to be adjusted even after all pavers are in place.



5) Tension springs are installed at the perimeter edges of the deck to keep tension on the paving surface and prevent paving creep over time, ensuring nice tight abutments between pavers.



6) The Pedestal Single Ply Tension Spring pictured above is designed to be used where paving is installed parallel with vertical faces/walls. This spring has been designed with Single Ply and other fragile waterproofing membranes in mind, the specially designed stainless steel spring has a curved face that will not abrade the surface of the waterproof membrane.

7) If paving is planned for installation against vertical surfaces that are curved or not parallel with the paving layout please contact our technical department for assistance.



Cutting and shaping Porcelain Paving

Porcelain is easily cut with the correct equipment, we recommend table and rail saws, ideally wet cut, with a suitable diamond blade for large cuts and angle grinders with suitable diamond blades for small cuts and shaping. Please ensure correct safety ware (PPE) is worn at all times when cutting porcelain, this should include but not be limited to; eye and respiratory protective equipment; suitable gloves and hearing protection.